

Swivel Joint

E1-KK4 Series

Media Type
**Hydraulic Oil,
Water + General Purpose**

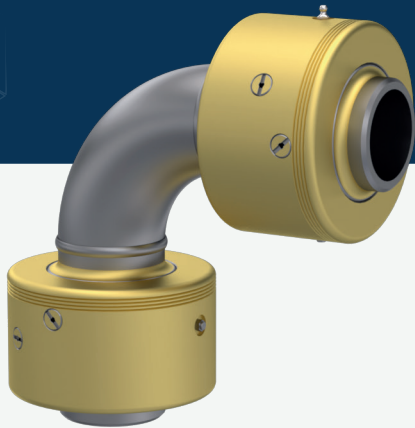
Max. Speed
20 RPM

Max. Pressure
250 BAR

Max. Temperature
120 °C

Connection Type
Weld End

Rotor Size
3/4" DN20 - 8" DN200

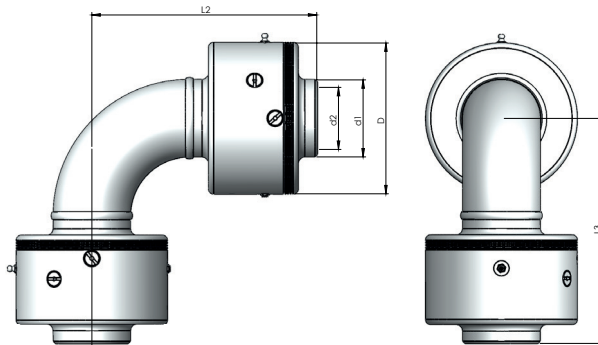


Swivel Joint for water, hydraulic oil, gress and chemical fluids

- ✓ Single flow design
- ✓ Carbon steel body
- ✓ Hardened inner sealing surface
- ✓ Special design sealing components
- ✓ Easy changable repair parts
- ✓ Weld end connection

! Do not operate without fluid.

DIMENSIONS



SIZE	MODEL NO	DØ	L2	L3	d1Ø	d2Ø	KG
20	E1 - KK4-020	72	104	104	26,90	21,10	2,96
25	E1 - KK4-025	78	111	111	33,70	27,30	3,37
32	E1 - KK4-032	88	153	153	42,40	35,20	6,16
40	E1 - KK4-040	100	162	162	48,30	36,90	8,55
50	E1 - KK4-050	118	176	176	60,30	48,50	10,97
65	E1 - KK4-065	133	205	205	76,10	59	15,68
80	E1 - KK4-080	139	225	225	88,90	76,30	15,15
100	E1 - KK4-100	175	262	262	114,30	97,10	24,24
125	E1 - KK4-125	199	330	330	139,70	122,30	37,31
150	E1 - KK4-150	222	374	374	168,30	154,10	44,73
200	E1 - KK4-200	288	485	485	219,10	200	95,10