

Swivel Joint

# E1-KK5 Series

Media Type  
**Hydraulic Oil,  
Water + General Purpose**

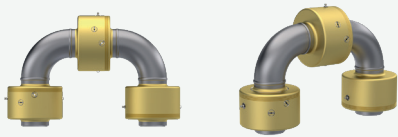
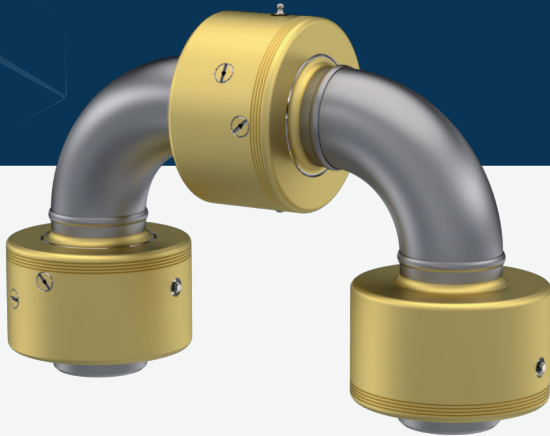
Max. Speed  
**20 RPM**

Max. Pressure  
**250 BAR**

Max. Temperature  
**120 °C**

Connection Type  
**Weld End**

Rotor Size  
**3/4" DN20 - 8" DN200**

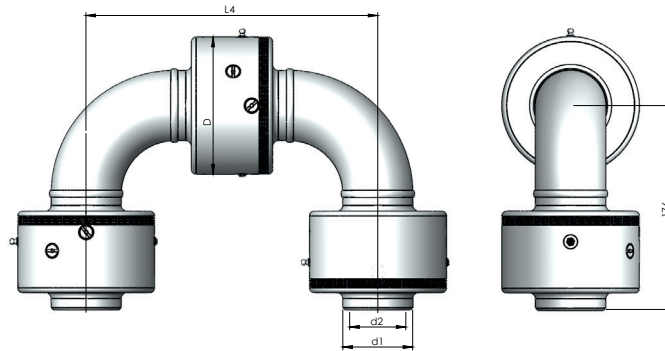


Swivel Joint for water, hydraulic oil, gress and chemical fluids

- ✓ Single flow design
- ✓ Carbon steel body
- ✓ Hardened inner sealing surface
- ✓ Special design sealing components
- ✓ Easy changable repair parts
- ✓ Weld end connection

**!** Do not operate without fluid.

## DIMENSIONS



SIZE	MODEL NO	DØ	L3	L4	d1Ø	d2Ø	KG
20	E1 - KK5-020	72	104	133	26,90	21,10	4,45
25	E1 - KK5-025	78	111	146	33,70	27,30	5,12
32	E1 - KK5-032	88	153	201	42,40	35,20	9,38
40	E1 - KK5-040	100	162	219	48,30	36,90	13,10
50	E1 - KK5-050	118	176	252	60,30	48,50	16,91
65	E1 - KK5-065	133	205	250	76,10	59	24,60
80	E1 - KK5-080	139	225	340	88,90	76,30	23,89
100	E1 - KK5-100	175	262	414	114,30	97,10	38,38
125	E1 - KK5-125	199	330	520	139,70	122,30	59,00
150	E1 - KK5-150	222	374	604	168,30	150	72,18
200	E1 - KK5-200	288	485	790	219,10	200	154,97