

Swivel Joint

E1-KKS5 Series

Media Type
**Hydraulic Oil,
Water + General Purpose**

Max. Speed
20 RPM

Max. Pressure
250 BAR

Max. Temperature
120 °C

Connection Type
Weld End

Rotor Size
3/4" DN20 - 8" DN200

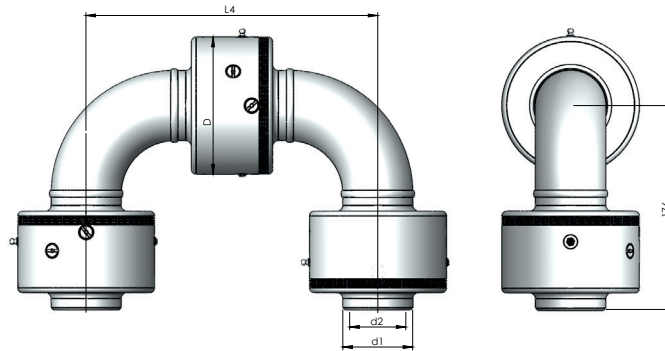


Swivel Joint for water, hydraulic oil, gress and chemical fluids

- ✓ Single flow design
- ✓ Stainless steel body
- ✓ Hardened inner sealing surface
- ✓ Special design sealing components
- ✓ Easy changable repair parts
- ✓ Weld end connection

! Do not operate without fluid.

DIMENSIONS



SIZE	MODEL NO	DØ	L3	L4	d1Ø	d2Ø	KG
20	E1 - KK5-020-304	72	104	133	26,90	21,10	4,56
25	E1 - KK5-025-304	78	111	146	33,70	27,30	5,25
32	E1 - KK5-032-304	88	153	201	42,40	35,20	9,62
40	E1 - KK5-040-304	100	162	219	48,30	36,90	13,43
50	E1 - KK5-050-304	118	176	252	60,30	48,50	17,34
65	E1 - KK5-065-304	133	205	250	76,10	59	25,23
80	E1 - KK5-080-304	139	225	340	88,90	76,30	24,50
100	E1 - KK5-100-304	175	262	414	114,30	97,10	39,36
125	E1 - KK5-125-304	199	330	520	139,70	122,30	0,08
150	E1 - KK5-150-304	222	374	604	168,30	150	74,03
200	E1 - KK5-200-304	288	485	790	219,10	200	158,94