

# Rotary Joint 105 Series

Media Type  
**Coolant**

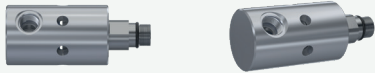
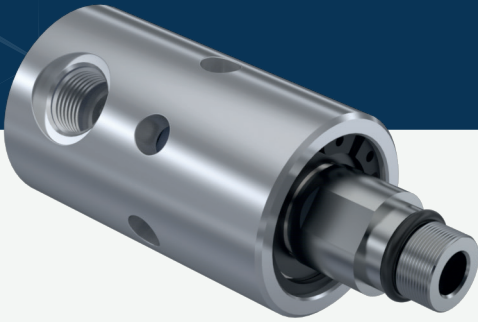
Max. Speed  
**8.000 RPM**

Max. Pressure  
**40 BAR**

Max. Temperature  
**70 °C**

Connection Type  
**Metric**

Rotor Size  
**Metric 16x1,5 LH  
Metric 16x1,5 RH**

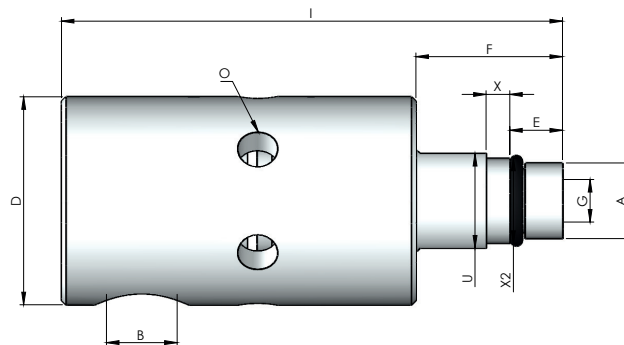


For CNC machines and vertical machining centers, rotating joints for boron oily water passage.

- ✓ For CNC machines and vertical machining centers
- ✓ Easy assembling, high rpm
- ✓ Drainage holes and many thread options Metric, BSP, NPT, UNF etc..
- ✓ Silicon Carbide sealing parts

**!** Do not operate without fluid.

## DIMENSIONS



SIZE	MODEL NO	A	DØ	I	E	X	F	GØ	X2	U	O	KG
1/4" NPT	105-344-403	5/8" - 18 UNF - LH	44	103	11,15	5	31	8	17,993	20	8,50	0,30
1/4" BSP	105-444-531	M16 X 1,5 - LH	44	103	11,15	5	31	8	17,993	20	8,50	0,30
3/8" NPT	105-544-403	5/8" - 18 UNF - LH	44	106	11,15	5	31	9	17,993	20	8,50	0,30
3/8" BSP	105-644-531	M16 X 1,5 - LH	44	106	11,15	5	31	9	17,993	20	8,50	0,30