

Rotary Joint

110 Series

Media Type
Coolant

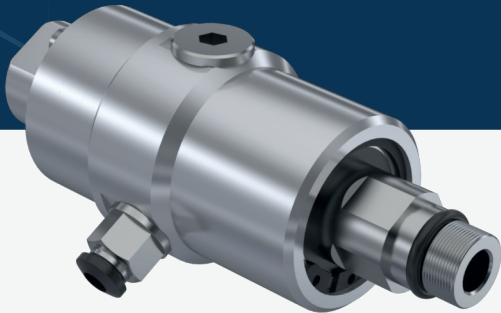
Max. Speed
12.000 RPM

Max. Pressure
50 BAR

Max. Temperature
70 °C

Connection Type
Metric

Rotor Size
**Metric 16x1,5 LH
Metric 16x1,5 RH**

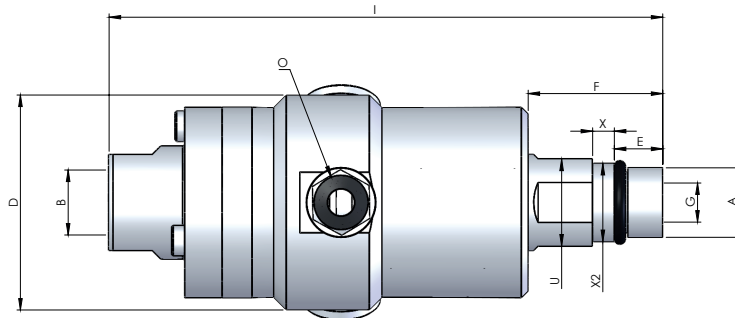


- ✓ Boron oil coolant rotary joint
- ✓ Full capacity fluid transfer
- ✓ Silicon Carbide sealing parts
- ✓ Aluminum, anti - corrosion body
- ✓ Dry and wet using
- ✓ Drainage holes
- ✓ Easy assembling

For CNC machines and vertical machining centers, rotating joints for boron oily water passage.

! Do not operate without fluid.

DIMENSIONS



SIZE	MODEL NO	A	DØ	I	E	X	F	GØ	X2	U	O	KG
1/4" NPT	110-344-403	5/8" - 18 UNF - LH	49,50	127,50	11,15	5	31	8	17,993	20	M8	0,33
1/4" BSP	110-444-531	M16 X 1,5 - LH	49,50	127,50	11,15	5	31	8	17,993	20	M8	0,33
3/8" NPT	110-544-403	5/8" - 18 UNF - LH	49,50	127,50	11,15	5	31	9	17,993	20	M8	0,33
3/8" BSP	110-644-531	M16 X 1,5 - LH	49,50	127,50	11,15	5	31	9	17,993	20	M8	0,33