


Rotary Joint


# 115 Series


 Media Type  
**Coolant**

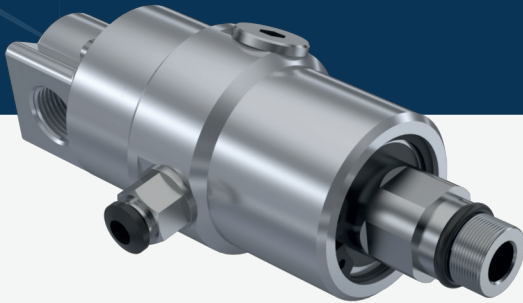
 Max. Speed  
**12.000 RPM**








 Max. Pressure  
**50 BAR**

 Max. Temperature  
**70 °C**

 Connection Type  
**Metric**

 Rotor Size  
**Metric 16x1,5 LH  
Metric 16x1,5 RH**

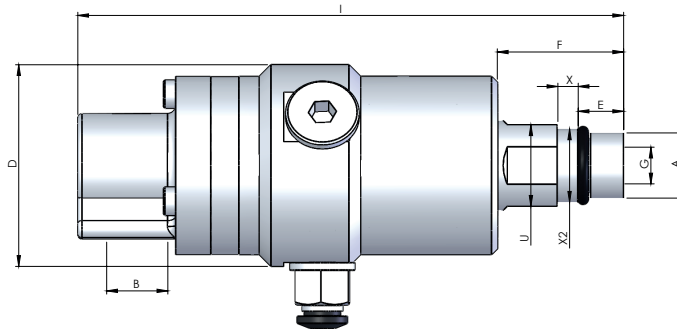


-  Boron oil coolant rotary joint
-  Full capacity fluid transfer
-  Silicon Carbide sealing parts
-  Aluminum, anti - corrosion body
-  Dry and wet using
-  Drainage holes
-  Easy assembling

For CNC machines and vertical machining centers, rotating joints for boron oily water passage.

 Do not operate without fluid.

## DIMENSIONS



SIZE	MODEL NO	A	DØ	I	E	X	F	GØ	X2	U	O	KG
1/4" NPT	115-344-403	5/8" - 18 UNF - LH	49,50	134	11,15	5	31	8	17,993	20	M8	0,38
1/4" BSP	115-444-531	M16 X 1,5 - LH	49,50	134	11,15	5	31	8	17,993	20	M8	0,38
3/8" NPT	115-544-403	5/8" - 18 UNF - LH	49,50	134	11,15	5	31	9	17,993	20	M8	0,38
3/8" BSP	115-644-531	M16 X 1,5 - LH	49,50	134	11,15	5	31	9	17,993	20	M8	0,38