

Rotary Joint 120 Series

Media Type
Coolant

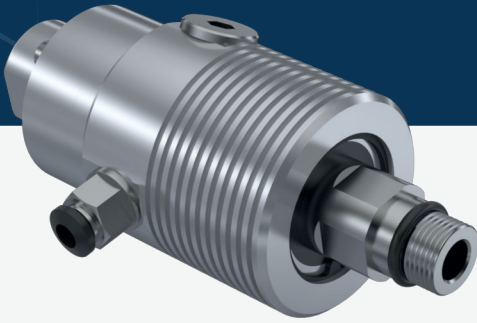
Max. Speed
15.000 RPM

Max. Pressure
60 BAR

Max. Temperature
70 °C

Connection Type
Metric

Rotor Size
**Metric 16x1,5 LH
Metric 16x1,5 RH**

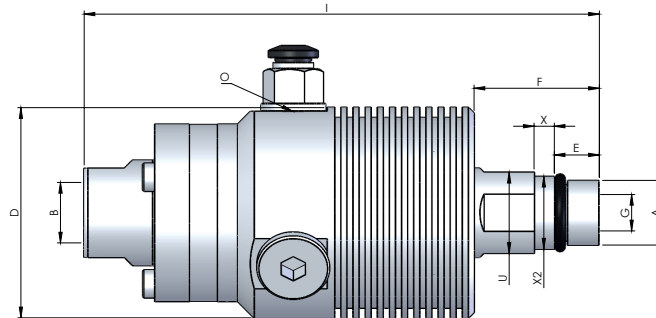


- ✓ Boron oil coolant rotary joint
- ✓ Full capacity fluid transfer
- ✓ Silicon Carbide sealing parts
- ✓ Aluminum, anti - corrosion body
- ✓ Dry and wet using
- ✓ Drainage holes
- ✓ Easy assembling

For CNC machines and vertical machining centers, rotating joints for boron oily water passage.

! Do not operate without fluid.

DIMENSIONS



SIZE	MODEL NO	A	DØ	I	E	X	F	GØ	X2	U	O	KG
1/4" NPT	120-344-403	5/8" - 18 UNF - LH	51	127,50	11,15	5	31	8	17,993	20	M8	0,42
1/4" BSP	120-444-531	M16 X 1,5 - LH	51	127,50	11,15	5	31	8	17,993	20	M8	0,42
3/8" NPT	120-544-403	5/8" - 18 UNF - LH	51	127,50	11,15	5	31	9	17,993	20	M8	0,42
3/8" BSP	120-644-531	M16 X 1,5 - LH	51	127,50	11,15	5	31	9	17,993	20	M8	0,42