

Rotary Joint 2000 Series

Media Type
Air - Vacuum

Max. Speed
1.500 RPM

Max. Pressure
10 BAR

Max. Temperature
80 °C

Connection Type
BSP, BSPT, NPT, FL, Metric

Rotor Size
1/8" DN06 - 1 1/2" DN40

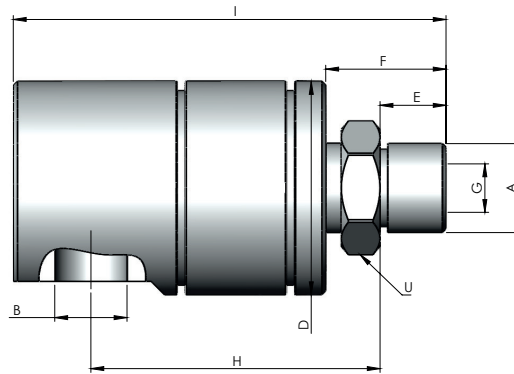


- ✓ Monoflow
- ✓ Self supported sealing
- ✓ Radial or axial connection
- ✓ Low torque
- ✓ Aluminium housing
- ✓ Carbon steel or stainless steel shaft

For Air & Vacuum rotary joints

Do not operate without fluid.

DIMENSIONS



| SIZE | B | MODEL NO | A | DØ | I | E | F | GØ | H | U | KG |
|------|----------|--------------|---------------|----|-------|----|----|------|----|----|------|
| 6 | 1/8" NPT | 2010-015-100 | 1/8" NPT - RH | 32 | 63 | 11 | 18 | 3,20 | 42 | 16 | 0,13 |
| 6 | 1/8" NPT | 2010-015-101 | 1/8" NPT - LH | 32 | 63 | 11 | 18 | 3,20 | 42 | 16 | 0,13 |
| 6 | 1/8" BSP | 2010-015-200 | 1/8" BSP - RH | 32 | 63 | 11 | 18 | 3,20 | 42 | 16 | 0,13 |
| 6 | 1/8" BSP | 2010-015-201 | 1/8" BSP - LH | 32 | 63 | 11 | 18 | 3,20 | 42 | 16 | 0,13 |
| 8 | 1/4" NPT | 2025-015-102 | 1/4" NPT - RH | 40 | 79 | 13 | 26 | 6,50 | 55 | 22 | 0,24 |
| 8 | 1/4" NPT | 2025-015-103 | 1/4" NPT - LH | 40 | 79 | 13 | 26 | 6,50 | 55 | 22 | 0,24 |
| 8 | 1/4" BSP | 2025-015-202 | 1/4" BSP - RH | 40 | 79 | 13 | 26 | 6,50 | 55 | 22 | 0,24 |
| 8 | 1/4" BSP | 2025-015-203 | 1/4" BSP - LH | 40 | 79 | 13 | 26 | 6,50 | 55 | 22 | 0,24 |
| 10 | 3/8" NPT | 2037-015-104 | 3/8" NPT - RH | 44 | 88,50 | 13 | 26 | 8,50 | 60 | 24 | 0,27 |
| 10 | 3/8" NPT | 2037-015-105 | 3/8" NPT - LH | 44 | 88,50 | 13 | 26 | 8,50 | 60 | 24 | 0,27 |
| 10 | 3/8" BSP | 2037-015-204 | 3/8" BSP - RH | 44 | 88,50 | 13 | 26 | 8,50 | 60 | 24 | 0,27 |
| 10 | 3/8" BSP | 2037-015-205 | 3/8" BSP - LH | 44 | 88,50 | 13 | 26 | 8,50 | 60 | 24 | 0,27 |

| | | | | | | | | | | | |
|----|------------|--------------|-----------------|-----|--------|----|----|-------|-------|----|------|
| 15 | 1/2" NPT | 2050-015-106 | 1/2" NPT - RH | 55 | 111,50 | 17 | 31 | 12,50 | 74,50 | 30 | 0,65 |
| 15 | 1/2" NPT | 2050-015-107 | 1/2" NPT - LH | 55 | 111,50 | 17 | 31 | 12,50 | 74,50 | 30 | 0,65 |
| 15 | 1/2" BSP | 2050-015-206 | 1/2" BSP - RH | 55 | 111,50 | 17 | 31 | 12,50 | 74,50 | 30 | 0,65 |
| 15 | 1/2" BSP | 2050-015-207 | 1/2" BSP - LH | 55 | 111,50 | 17 | 31 | 12,50 | 74,50 | 30 | 0,65 |
| 20 | 3/4" NPT | 2075-015-108 | 3/4" NPT - RH | 69 | 119 | 20 | 33 | 17,50 | 76 | 36 | 1 |
| 20 | 3/4" NPT | 2075-015-109 | 3/4" NPT - LH | 69 | 119 | 20 | 33 | 17,50 | 76 | 36 | 1 |
| 20 | 3/4" BSP | 2075-015-208 | 3/4" BSP - RH | 69 | 119 | 20 | 33 | 17,50 | 76 | 36 | 1 |
| 20 | 3/4" BSP | 2075-015-209 | 3/4" BSP - LH | 69 | 119 | 20 | 33 | 17,50 | 76 | 36 | 1 |
| 25 | 1" NPT | 2100-015-110 | 1" NPT - RH | 74 | 135,50 | 22 | 41 | 25 | 88,50 | 40 | 1,25 |
| 25 | 1" NPT | 2100-015-111 | 1" NPT - LH | 74 | 135,50 | 22 | 41 | 25 | 88,50 | 40 | 1,25 |
| 25 | 1" BSP | 2100-015-210 | 1" BSP - RH | 74 | 135,50 | 22 | 41 | 25 | 88,50 | 40 | 1,25 |
| 25 | 1" BSP | 2100-015-211 | 1" BSP - LH | 74 | 135,50 | 22 | 41 | 25 | 88,50 | 40 | 1,25 |
| 32 | 1 1/4" NPT | 2125-015-112 | 1 1/4" NPT - RH | 95 | 159 | 23 | 43 | 32 | 105 | 50 | 2,45 |
| 32 | 1 1/4" NPT | 2125-015-113 | 1 1/4" NPT - LH | 95 | 159 | 23 | 43 | 32 | 105 | 50 | 2,45 |
| 32 | 1 1/4" BSP | 2125-015-212 | 1 1/4" BSP - RH | 95 | 159 | 23 | 43 | 32 | 105 | 50 | 2,45 |
| 32 | 1 1/4" BSP | 2125-015-213 | 1 1/4" BSP - LH | 95 | 159 | 23 | 43 | 32 | 105 | 50 | 2,45 |
| 40 | 1 1/2" NPT | 2150-015-114 | 1 1/2" NPT - RH | 105 | 191 | 29 | 70 | 38 | 127 | 60 | 3,45 |
| 40 | 1 1/2" NPT | 2150-015-115 | 1 1/2" NPT - LH | 105 | 191 | 29 | 70 | 38 | 127 | 60 | 3,45 |
| 40 | 1 1/2" BSP | 2150-015-214 | 1 1/2" BSP - RH | 105 | 191 | 29 | 70 | 38 | 127 | 60 | 3,45 |
| 40 | 1 1/2" BSP | 2150-015-215 | 1 1/2" BSP - LH | 105 | 191 | 29 | 70 | 38 | 127 | 60 | 3,45 |