

Rotary Joint

3000HO-T2 Series

Media Type
Hot Oil

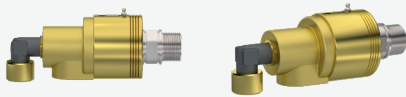
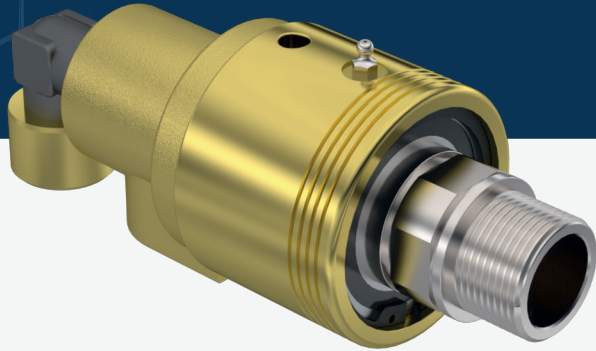
Max. Speed
750 - 3500 RPM

Max. Pressure
6.5 BAR

Max. Temperature
160 °C

Connection Type
BSPP, BSPT, NPT, FL, Metric

Rotor Size
1/4" DN08 - 2" DN50

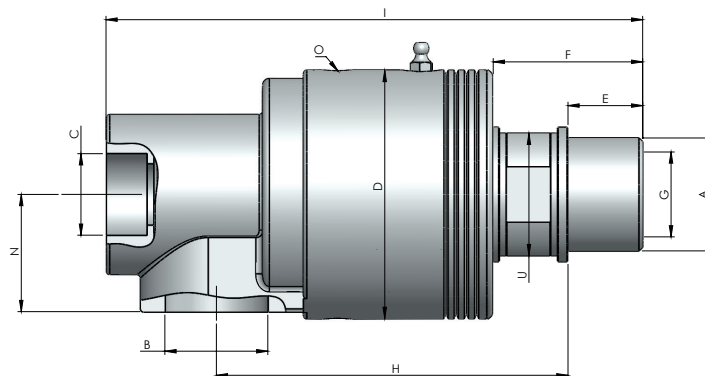


Rotary Joints for Hot Oil (Max. 160°C)

- ✓ Dual flow
- ✓ Balanced mechanical sealing
- ✓ Forged brass housing
- ✓ Silicon carbide sealing components
- ✓ Stainless steel shaft and inner parts
- ✓ Threaded, Qr & flanged connection

 Do not operate without fluid.

DIMENSIONS



SIZE	B	J	MODEL NO	A	C	DØ	I	I 2	E	F	K	K I	GØ	H	H 2	N	U	LØ	S	T	OØ	KG
15	1/2" NPT	3/8" NPT	3050-011-106D	1/2" NPT - RH	3/8" NPT	57	121	151	19	34	1/4" BSPP	120	13	81,50	39,50	25,00	26				8,5 (2x180°)	1,25
15	1/2" NPT	3/8" NPT	3050-011-107D	1/2" NPT - LH	3/8" NPT	57	121	151	19	34	1/4" BSPP	120	13	81,50	39,50	25,00	26				8,5 (2x180°)	1,25
15	1/2" NPT	3/8" NPT	3050-011-100D	Ø24	3/8" NPT	57	121	151		34	1/4" BSPP	120	13	83,50	39,50	25,00		22	6	11	8,5 (2x180°)	1,25
15	1/2" BSP	3/8" BSP	3050-311-206D	1/2" BSP - RH	3/8" BSP	57	121	151	19	34	1/4" BSPP	120	13	81,50	39,50	25,00	26				8,5 (2x180°)	1,25
15	1/2" BSP	3/8" BSP	3050-311-207D	1/2" BSP - LH	3/8" BSP	57	121	151	19	34	1/4" BSPP	120	13	81,50	39,50	25,00	26				8,5 (2x180°)	1,25
15	1/2" BSP	3/8" BSP	3050-311-100D	Ø24	3/8" BSP	57	121	151		34	1/4" BSPP	120	13	83,50	39,50	25,00		22	6	11	8,5 (2x180°)	1,25
20	3/4" NPT	3/8" NPT	3075-011-108D	3/4" NPT - RH	1/2" NPT	67	136,50	171,50	19	36	1/4" BSPP	133,70	17,50	91,50	47,50	30	30				8,5 (2x180°)	1,85
20	3/4" NPT	3/8" NPT	3075-011-109D	3/4" NPT - LH	1/2" NPT	67	136,50	171,50	19	36	1/4" BSPP	133,70	17,50	91,50	47,50	30	30				8,5 (2x180°)	1,85
20	3/4" NPT	3/8" NPT	3075-011-100D	Ø30	1/2" NPT	67	136,50	171,50		36	1/4" BSPP	133,70	17,50	91,50	47,50	30		28	8	14	8,5 (2x180°)	1,85
20	3/4" BSP	3/8" BSP	3075-311-208D	3/4" BSP - RH	1/2" BSP	67	136,50	171,50	19	36	1/4" BSPP	133,70	17,50	88,50	47,50	30	30				8,5 (2x180°)	1,85
20	3/4" BSP	3/8" BSP	3075-311-209D	3/4" BSP - LH	1/2" BSP	67	136,50	171,50	19	36	1/4" BSPP	133,70	17,50	91,50	47,50	30	30				8,5 (2x180°)	1,85
20	3/4" BSP	3/8" BSP	3075-311-100D	Ø30	1/2" BSP	67	136,50	171,50		36	1/4" BSPP	133,70	17,50	88,50	47,50	30		28	8	14	8,5 (2x180°)	1,85
25	1" NPT	1/2" NPT	3100-011-110D	1" NPT - RH	3/4" NPT	73	158	200	22	44	3/8" BSPP	159	25	103,50	58,50	34,50	36				8,5 (2x180°)	2,40
25	1" NPT	1/2" NPT	3100-011-111D	1" NPT - LH	3/4" NPT	73	158	200	22	44	3/8" BSPP	159	25	103,50	58,50	34,50	36				8,5 (2x180°)	2,40
25	1" NPT	1/2" NPT	3100-011-100D	Ø35	3/4" NPT	73	158	200		44	3/8" BSPP	159	25	103,50	58,50	34,50		33	8	14	8,5 (2x180°)	2,40
25	1" BSP	1/2" BSP	3100-311-210D	1" BSP - RH	3/4" BSP	73	158	200	22	44	3/8" BSPP	159	25	103,50	58,50	34,50	36				8,5 (2x180°)	2,40
25	1" BSP	1/2" BSP	3100-311-211D	1" BSP - LH	3/4" BSP	73	158	200	22	44	3/8" BSPP	159	25	103,50	58,50	34,50	36				8,5 (2x180°)	2,40
25	1" BSP	1/2" BSP	3100-311-100D	Ø35	3/4" BSP	73	158	200		44	3/8" BSPP	159	25	103,50	58,50	34,50		33	8	14	8,5 (2x180°)	2,40
32	1 1/4" NPT	3/4" NPT	3125-011-112D	1 1/4" NPT - RH	1" NPT	87	192	235,50	28	52	1/2" BSPP	192	32	123	69	36,50	46				8,5 (2x180°)	4,05
32	1 1/4" NPT	3/4" NPT	3125-011-113D	1 1/4" NPT - LH	1" NPT	87	192	235,50	28	52	1/2" BSPP	192	32	123	69	36,50	46				8,5 (2x180°)	4,05
32	1 1/4" NPT	3/4" NPT	3125-011-100D	Ø45	1" NPT	87	192	235,50		52	1/2" BSPP	192	32	129	69	36,50		43	8	14	8,5 (2x180°)	4,05
32	1 1/4" BSP	3/4" BSP	3125-311-212D	1 1/4" BSP - RH	1" BSP	87	192	235,50	28	52	1/2" BSPP	192	32	123	69	36,50	46				8,5 (2x180°)	4,05
32	1 1/4" BSP	3/4" BSP	3125-311-213D	1 1/4" BSP - LH	1" BSP	87	192	235,50	28	52	1/2" BSPP	192	32	123	69	36,50	46				8,5 (2x180°)	4,05
32	1 1/4" BSP	3/4" BSP	3125-311-100D	Ø45	1" BSP	87	192	235,50		52	1/2" BSPP	192	32	129	69	36,50		43	8	14	8,5 (2x180°)	4,05
40	1 1/2" NPT	3/4" NPT	3150-011-114D	1 1/2" NPT - RH	1 1/4" NPT	102	225	279	30	70	3/4" BSPP	228	38	153	72	43	55				8,5 (2x180°)	6
40	1 1/2" NPT	3/4" NPT	3150-011-115D	1 1/2" NPT - LH	1 1/4" NPT	102	225	279	30	70	3/4" BSPP	228	38	153	72	43	55				8,5 (2x180°)	6
40	1 1/2" NPT	3/4" NPT	3150-011-100D	Ø50	1 1/4" NPT	102	225	279		70	3/4" BSPP	228	38	156	72	43		48	10	17	8,5 (2x180°)	6
40	1 1/2" BSP	3/4" BSP	3150-311-214D	1 1/2" BSP - RH	1 1/4" BSP	102	225	279	30	70	3/4" BSPP	228	38	153	72	43	55				8,5 (2x180°)	6
40	1 1/2" BSP	3/4" BSP	3150-311-215D	1 1/2" BSP - LH	1 1/4" BSP	102	225	279	30	70	3/4" BSPP	228	38	153	72	43	55				8,5 (2x180°)	6
40	1 1/2" BSP	3/4" BSP	3150-311-100D	Ø50	1 1/4" BSP	102	225	279		70	3/4" BSPP	228	38	156	72	43		48	10	17	8,5 (2x180°)	6
50	2" NPT	1" NPT	3200-011-116D	2" NPT - RH	1 1/2" NPT	115	249	306	30	64	1" BSPP	306	48	164	87,50	46,50	60				8,5 (2x180°)	8,15

50	2" NPT	1" NPT	3200-011-117D	2" NPT - LH	1 1/2" NPT	115	249	306	30	64	1" BSPP	306	48	164	87,50	46,50	60				8,5 (2x180°)	8,15
50	2" NPT	1" NPT	3200-011-100D	Ø65	1 1/2" NPT	115	249	306		64	1" BSPP	306	48	164	87,50	46,50		63	10	17	8,5 (2x180°)	8,15
50	2" BSP	1" BSP	3200-311-216D	2" BSP - RH	1 1/2" BSP	115	249	306	30	64	1" BSPP	306	48	164	87,50	46,50	60				8,5 (2x180°)	8,15
50	2" BSP	1" BSP	3200-311-217D	2" BSP - LH	1 1/2" BSP	115	249	306	30	64	1" BSPP	306	48	164	87,50	46,50	60				8,5 (2x180°)	8,15
50	2" BSP	1" BSP	3200-311-100D	Ø65	1 1/2" BSP	115	249	306		64	1" BSPP	306	48	164	87,50	46,50		63	10	17	8,5 (2x180°)	8,15