

Rotary Joint

4000-T2 Series

Media Type
Steam

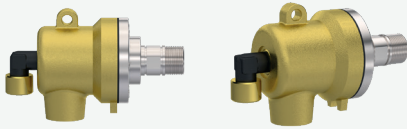
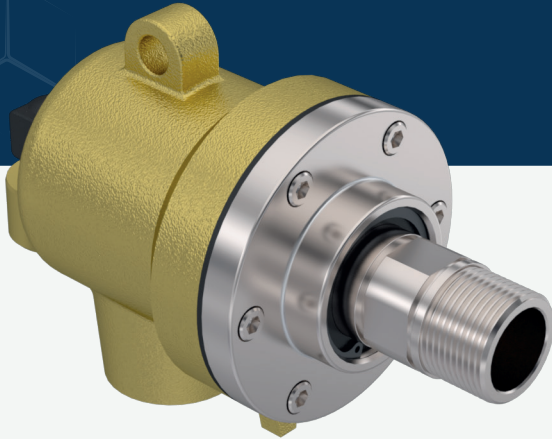
Max. Speed
400 RPM

Max. Pressure
17 BAR

Max. Temperature
180 °C

Connection Type
BSPP, BSPT, NPT, FL, Metric

Rotor Size
1/2" DN15 - 2" DN50

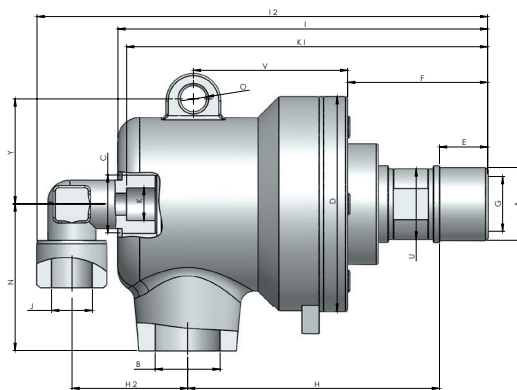


Rotary Joint for Steam

- ✓ Single & duoflow design
- ✓ Nodular casting housing
- ✓ Stainless steel shaft and inner components
- ✓ Carbon Graphite sealing parts
- ✓ Stationary or rotating siphon system
- ✓ Threaded, Qr & flanged connection

 Do not operate without fluid.

DIMENSIONS



50	2" NPT	1" NPT	4200-110-117D	2" NPT - LH	1 1/2" NPT	158	242	242	30	81	49	1" BSPP	235	102	79	159	80	60	112	16				14,65
50	2" NPT	1" NPT	4200-110-100D	Ø65	1 1/2" NPT	158	242	242		81	49	1" BSPP	235	102	79	162,50	80		112	16	63	10	16	14,65
50	2" BSP	1" BSP	4200-210-216D	2" BSP - RH	1 1/2" BSP	158	242	242	30	81	49	1" BSPP	235	102	79	159	80	60	112	16				14,65
50	2" BSP	1" BSP	4200-210-217D	2" BSP - LH	1 1/2" BSP	158	242	242	30	81	49	1" BSPP	235	102	79	159	80	60	112	16				14,65
50	2" BSP	1" BSP	4200-210-100D	Ø65	1 1/2" BSP	158	242	242		81	49	1" BSPP	235	102	79	162,50	80		112	16	63	10	16	14,65