

# Rotary Joint 6000 Series

Media Type  
**Hydraulic Oil**

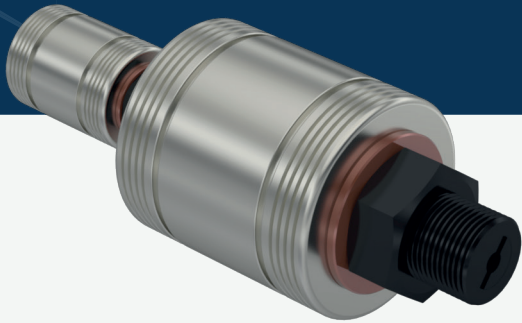
Max. Speed  
**100 RPM**

Max. Pressure  
**200 BAR**

Max. Temperature  
**90 °C**

Connection Type  
**BSP, BSPT, NPT, FL, Metric**

Rotor Size

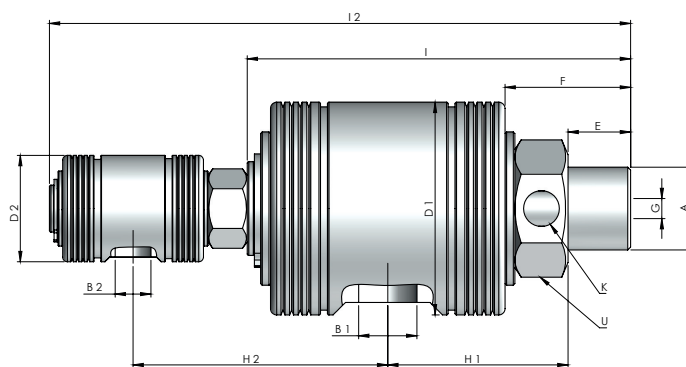


Rotary Joint for hydraulic oil

- ✓ Double flow design
- ✓ Balanced mechanical sealing
- ✓ Aluminium housing
- ✓ Teflon & viton sealing parts
- ✓ Special plated shaft
- ✓ Threaded connection (BSP, BSPP, NPT)

**!** Do not operate without fluid.

## DIMENSIONS



SIZE	B 1	B 2	MODEL NO	A	D1 Ø	D2 Ø	I	I 2	E	F	K	G Ø	H 1	H 2	U	KG
2 X 8	1/2"	1/4"	6051-2111-208	3/4" BSP RH	68	34	122,50	186	20	40	1/4" BSPP	6,40	57,65	81,50	38	1,40