

Rotary Joint

7000TE Series

Media Type
Hydraulic Oil

Max. Speed
250 RPM

Max. Pressure
200 BAR

Max. Temperature
120 °C

Connection Type
BSP, BSPT, NPT, FL, Metric

Rotor Size
2 x 1/4" - 2 x 3/4"

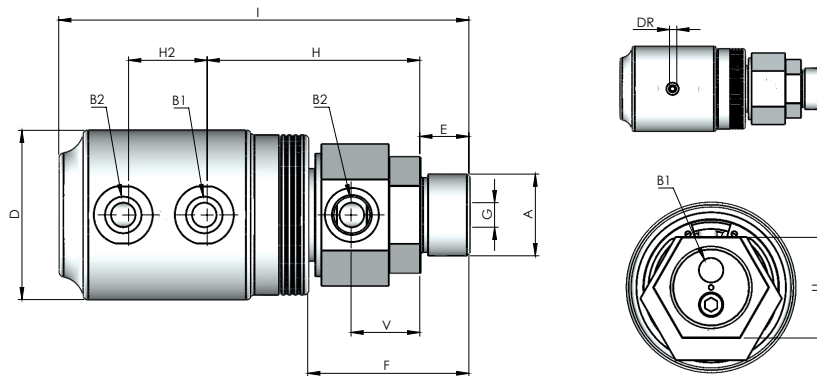


Rotary Joint for hydraulic oil

- ✓ Double flow design
- ✓ Balanced mechanical sealing
- ✓ Aluminium housing
- ✓ Teflon & viton sealing parts
- ✓ Special plated shaft
- ✓ Threaded connection (BSP, BSPP, NPT)

! Do not operate without fluid.

DIMENSIONS



SIZE	B1 - B2	MODEL NO	A	DØ	I	E	F	V	GØ	DR	H	H2	U	KG
20	2 X 1/4" BSP	7075-0125-208 TE	3/4" BSP - RH	69	163	20	63	25	8	M6	84	32	41	1,72
25	2 X 1/4" BSP	7100-0125-210 TE	1" BSP - RH	69	163	20	63	25	8	M6	84	32	41	1,77
25	2 X 3/8" BSP	7100-0137-210 TE	1" BSP - RH	69	167	20	65,5	28	10	M6	86,5	32	41	1,95
32	2 X 1/2" BSP	7125-0150-212 TE	1 1/4" BSP - RH	79	212,5	25	81,5	36,5	13	M6	106	45	60	4,16
40	2 X 3/4" BSP	7150-0175-214 TE	1 1/2" BSP - RH	99	245	30	104,5	46,5	17	M6	127	49	67	6,76