

Rotary Joint

# 1000B-T2 Series

Media Type  
**Water + General Purpose**

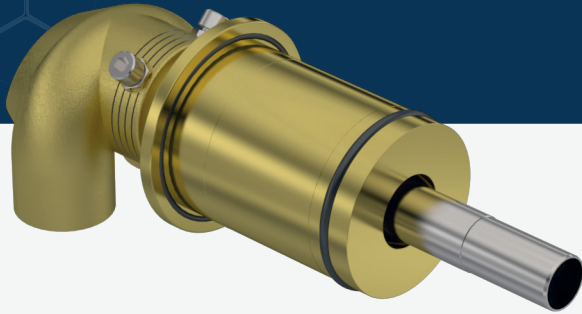
Max. Speed  
**100 RPM**

Max. Pressure  
**10 BAR**

Max. Temperature  
**120 °C**

Connection Type  
**BSP, BSPP, NPT**

Rotor Size  
**1/2" DN15 - 1" DN25**



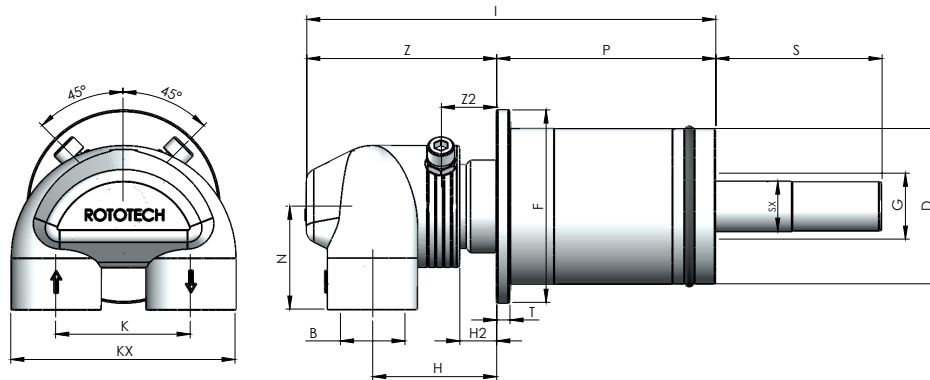
- ✓ Single or Dual flow
- ✓ In-the-shaft mounted
- ✓ Stainless steel shaft
- ✓ Bronze bearing and teflon+viton o-ring seal kit
- ✓ Forging brass body
- ✓ Easy assembling



For CCM lines water rotary joints

**!** Do not operate without fluid.

## DIMENSIONS



SIZE	MODEL NO	B	Z	Z2	P	DØ	I	H	H2	GØ	F	T	N	K	KX	S	SXØ	KG
15	1053-2200-101	1/2" NPT	58	15	52	43	110	43,50	9	13,50	52	5	35	44	73	40	13	1,05
15	1054-2200-101	1/2" BSP	58	15	52	43	110	43,50	9	13,50	52	5	35	44	73	40	13	1,05
20	1073-2200-101	3/4" NPT	71	20	65	46,20	136	46	14	17,50	59	5	39	51	85	50	13	1,90
20	1074-2200-101	3/4" BSP	71	20	65	46,20	136	46	14	17,50	59	5	39	51	85	50	13	1,90
20	1073-2400-201	3/4" NPT	72	21	83	58,85	155	47	14	25	72,90	5	39	51	85	63	19	2,65
20	1074-2400-201	3/4" BSP	72	21	83	58,85	155	47	14	25	72,90	5	39	51	85	63	19	2,65
25	1103-2500-301	1" NPT	94	21	92	71,10	186	63	14	39	86	5	43	63,50	105,50	50	30	3,60
25	1104-2500-301	1" BSP	94	21	92	71,10	186	63	14	39	86	5	43	63,50	105,50	50	30	3,60