

Rotary Joint

1000D-T2 Series

Media Type
Water + General Purpose

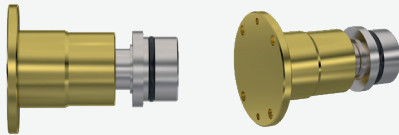
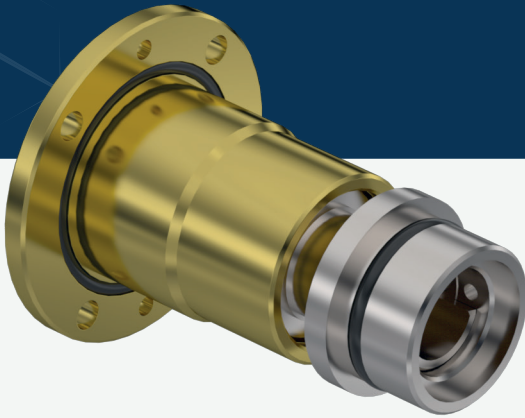
Max. Speed
100 RPM

Max. Pressure
10 BAR

Max. Temperature
120 °C

Connection Type
BSP, BSPP, NPT

Rotor Size
1/2" DN15 - 1" DN25

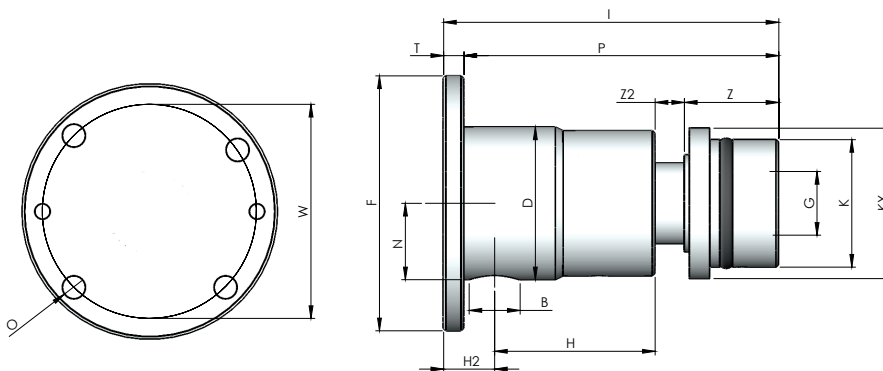


For CCM lines water rotary joints

- ✓ Single or Dual flow
- ✓ In-the-shaft mounted
- ✓ Stainless steel shaft
- ✓ Bronze bearing and teflon+viton o-ring seal kit
- ✓ Forging brass body
- ✓ Easy assembling

! Do not operate without fluid.

DIMENSIONS



SIZE	MODEL NO	BØ	Z	Z2	P	DØ	I	H	H2	GØ	F	T	N	K	KX	WØ	OØ	KG
20	1077-4477-000	20	37	11,50	123,50	59,92	131,50	63	20	25,00	100	8	29,96	50	59	84	9	1,95