

Rotary Joint

3000-T2 Series

Media Type
Water + General Purpose

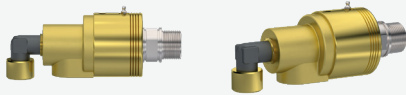
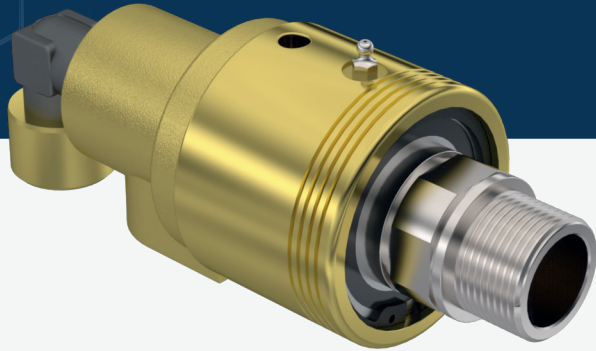
Max. Speed
750 - 3500 RPM

Max. Pressure
50 BAR

Max. Temperature
90 °C

Connection Type
BSP, BSPT, NPT, FL, Metric

Rotor Size
1/4" DN08 - 2" DN50

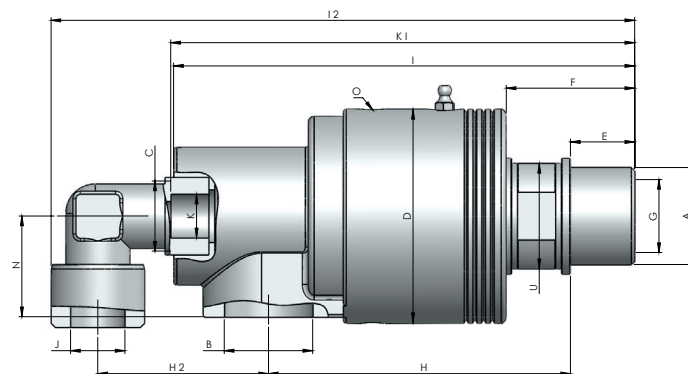


Rotary Joint for water & general purpose

- ✓ Dual flow
- ✓ Balanced mechanical sealing
- ✓ Forged brass housing
- ✓ Silicon carbide sealing components
- ✓ Stainless steel shaft and inner parts
- ✓ Threaded, Qr & flanged connection

⚠ Do not operate without fluid.

DIMENSIONS



50	2" NPT	1" NPT	3200-036-117D	2" NPT - LH	1 1/2" NPT	115	249	306	30	64	1" BSPP	306	48	164	87,50	46,50	60				8,5 (2x180°)	8,15
50	2" NPT	1" NPT	3200-036-100D	Ø65	1 1/2" NPT	115	249	306		64	1" BSPP	306	48	164	87,50	46,50		63	10	17	8,5 (2x180°)	8,15
50	2" BSP	1" BSP	3200-336-216D	2" BSP - RH	1 1/2" BSP	115	249	306	30	64	1" BSPP	306	48	164	87,50	46,50	60				8,5 (2x180°)	8,15
50	2" BSP	1" BSP	3200-336-217D	2" BSP - LH	1 1/2" BSP	115	249	306	30	64	1" BSPP	306	48	164	87,50	46,50	60				8,5 (2x180°)	8,15
50	2" BSP	1" BSP	3200-336-100D	Ø65	1 1/2" BSP	115	249	306		64	1" BSPP	306	48	164	87,50	46,50		63	10	17	8,5 (2x180°)	8,15
65	1 1/2" NPT		3250-036-118D	2 1/2" NPT - RH	2 1/2" NPT	149	287	311	38	80	1 1/2" BSPP	287	60,50	204		63	88				10 (2x180°)	17,50
65	1 1/2" NPT		3250-036-119D	2 1/2" NPT - LH	2 1/2" NPT	149	287	311	38	80	1 1/2" BSPP	287	60,50	204		63	88				10 (2x180°)	17,50
65	1 1/2" NPT		3250-036-100D	Ø85	2 1/2" NPT	149	287	311		80	1 1/2" BSPP	287	60,50	215		63					10 (2x180°)	17,50
65	1 1/2" BSP		3250-336-218D	2 1/2" BSP - RH	2 1/2" BSP	149	287	311	38	80	1 1/2" BSPP	287	60,50	204		63	88				10 (2x180°)	17,50
65	1 1/2" BSP		3250-336-219D	2 1/2" BSP - LH	2 1/2" BSP	149	287	311	38	80	1 1/2" BSPP	287	60,50	204		63	88				10 (2x180°)	17,50
65	1 1/2" BSP		3250-336-100D	Ø85	2 1/2" BSP	149	287	311		80	1 1/2" BSPP	287	60,50	215		63					10 (2x180°)	17,50
80	2" NPT		3300-036-120D	3" NPT - RH	3" NPT	169	317	349	44	89	2" BSPP	320	73	223		77	100				14 (2x180°)	24,60
80	2" NPT		3300-036-121D	3" NPT - LH	3" NPT	169	317	349	44	89	2" BSPP	320	73	223		77	100				14 (2x180°)	24,60
80	2" NPT		3300-036-100D	Ø105	3" NPT	169	317	349		89	2" BSPP	320	73	235		77		102	12	20	14 (2x180°)	24,60
80	2" BSP		3300-336-220D	3" BSP - RH	3" BSP	169	317	349	44	89	2" BSPP	320	73	223		77	100				14 (2x180°)	24,60
80	2" BSP		3300-336-221D	3" BSP - LH	3" BSP	169	317	349	44	89	2" BSPP	320	73	223		77	100				14 (2x180°)	24,60
80	2" BSP		3300-336-100D	Ø105	3" BSP	169	317	349		89	2" BSPP	320	73	235		77		102	12	20	14 (2x180°)	24,60
100	2" NPT		3300-036-120D	4" NPT - RH	4" NPT	209	379	416	45	115	2 1/2" BSPP	384	96	273		90	122				14 (2x180°)	33,25
100	2" NPT		3300-036-121D	4" NPT - LH	4" NPT	209	379	416	45	115	2 1/2" BSPP	384	96	273		90	122				14 (2x180°)	33,25
100	2" NPT		3300-036-100D	Ø114	4" NPT	209	379	416		115	2 1/2" BSPP	384	96	252		90		110	30	36	14 (2x180°)	33,25
100	2" BSP		3300-336-220D	4" BSP - RH	4" BSP	209	379	416	45	115	2 1/2" BSPP	384	96	273		90	122				14 (2x180°)	33,25
100	2" BSP		3300-336-221D	4" BSP - LH	4" BSP	209	379	416	45	115	2 1/2" BSPP	384	96	273		90	122				14 (2x180°)	33,25
100	2" BSP		3300-336-100D	Ø114	4" BSP	209	379	416		115	2 1/2" BSPP	384	96	252		90		110	30	36	14 (2x180°)	33,25